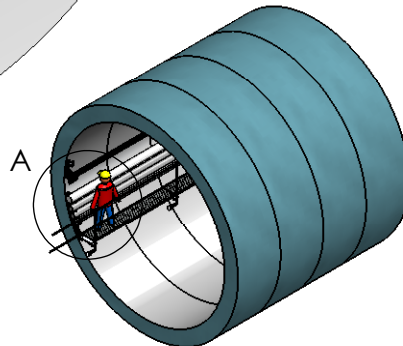
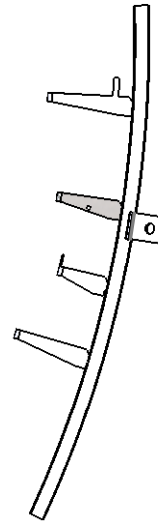


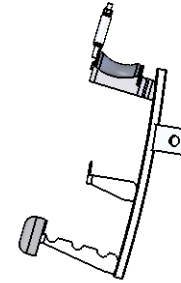
DETAIL A  
SCALE 1 : 20



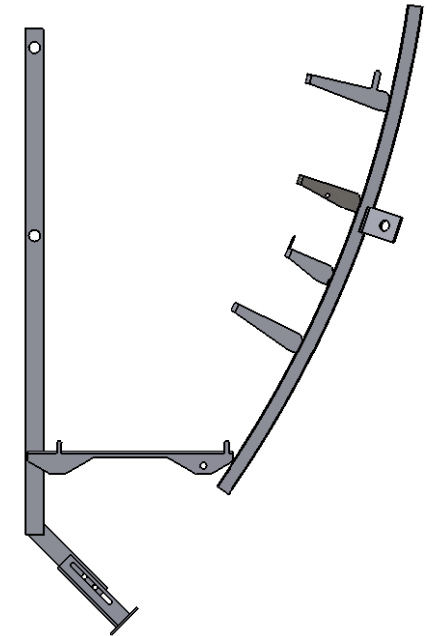
Services support  
No Walkway



Cable Roller,  
Cable Support and  
Cable Support with Lamp



Services support  
and Walkway



# Tunnel Services Support System

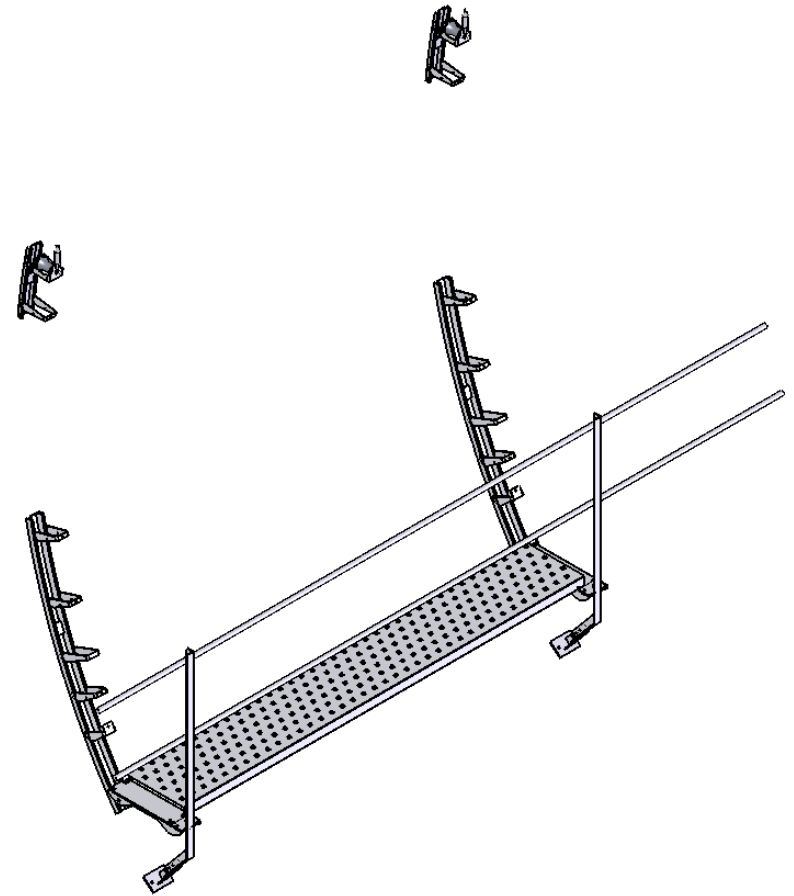
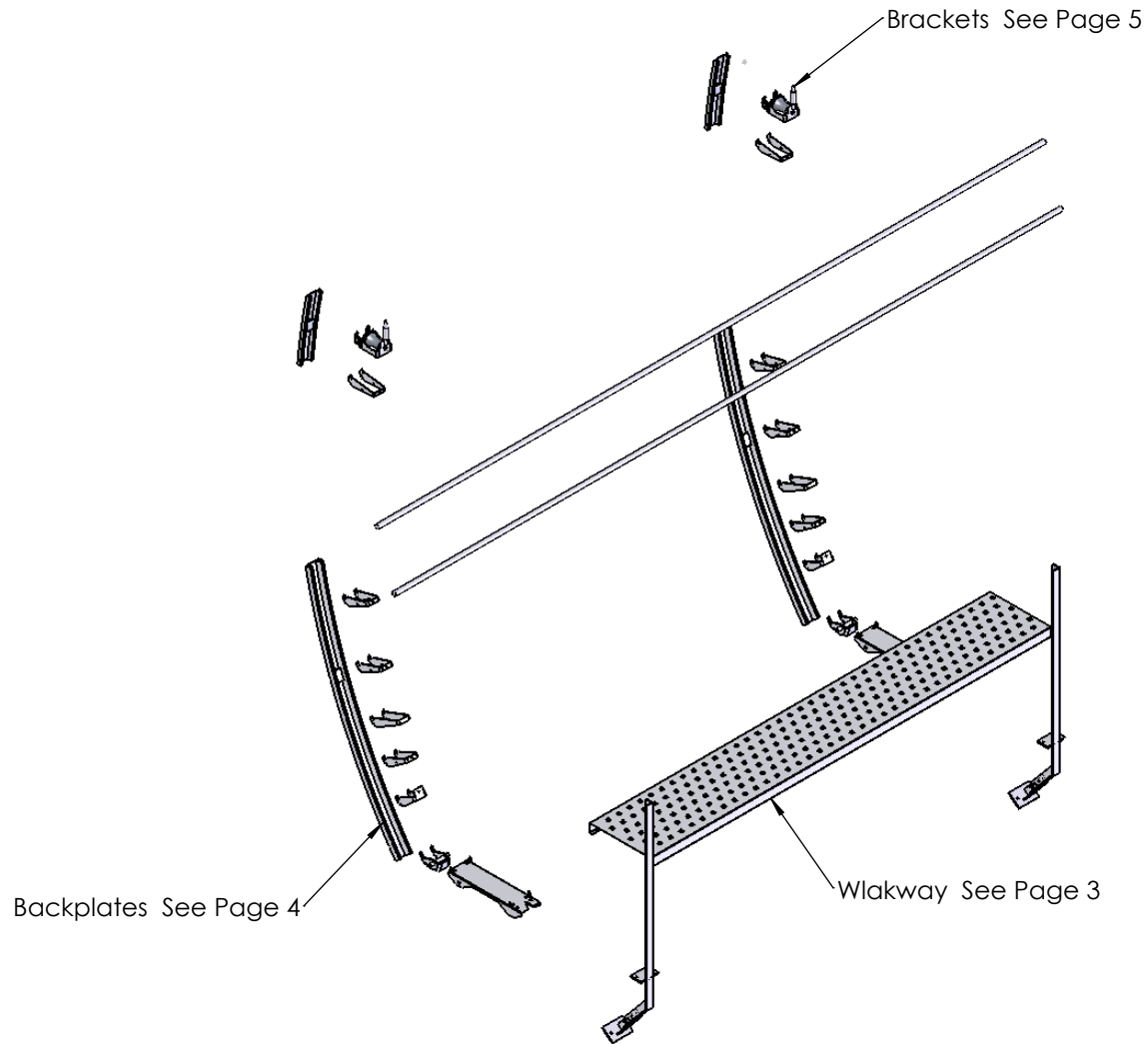
Transforge (UK) Ltd

Edmondthorpe Road, Wymondham, Leics LE14 2AD



## Key Benefits

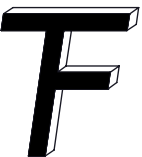
- Flexible design to specific project
- Light weight components
- Easy transportation
- Installation with minimal resources
- Pipe/cable bracket configuration to suit application
- Safe means of access/escape
- Cost Effective

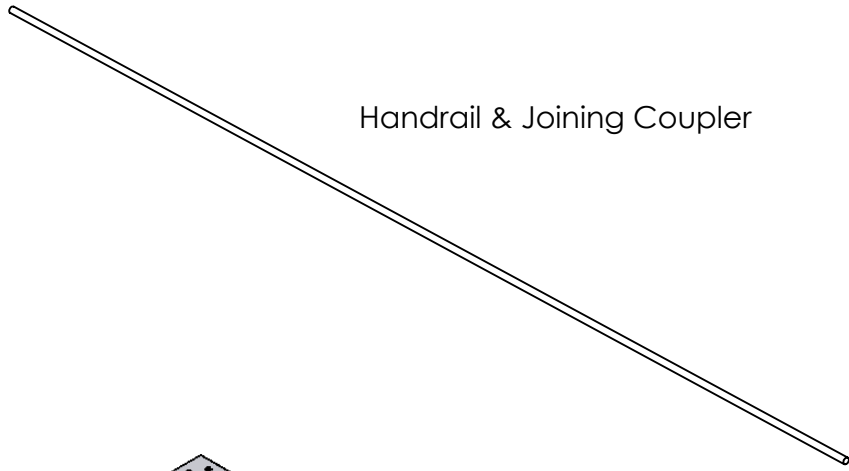


## Tunnel Services Support System Component System

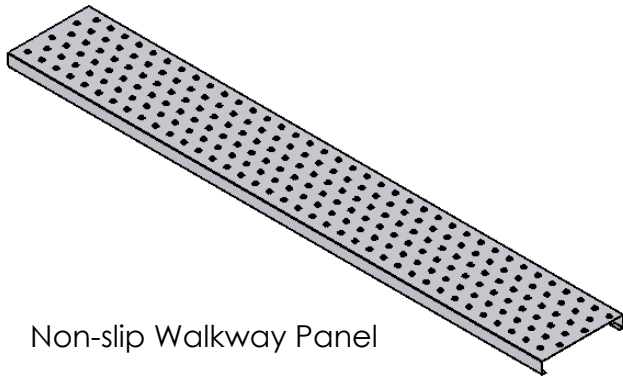
Transforge (UK) Ltd

Edmondthorpe Road, Wymondham, Leics LE14 2AD

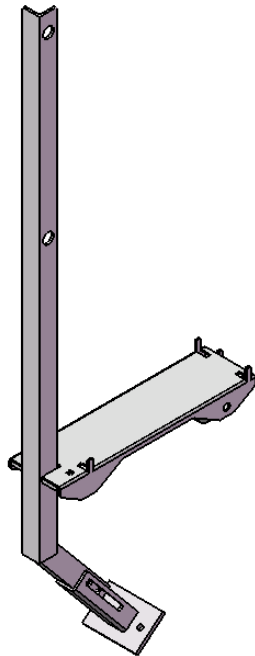




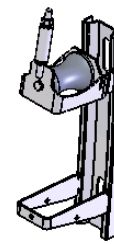
Handrail & Joining Coupler



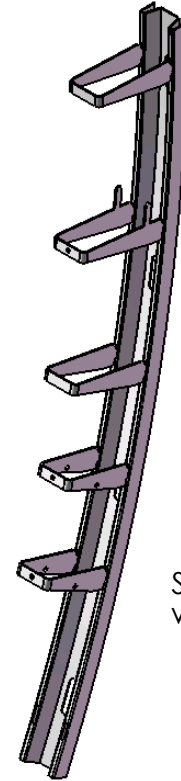
Non-slip Walkway Panel



Sub-assembly of Handrail & walkway support



Roller Bracket for Pulling Cable



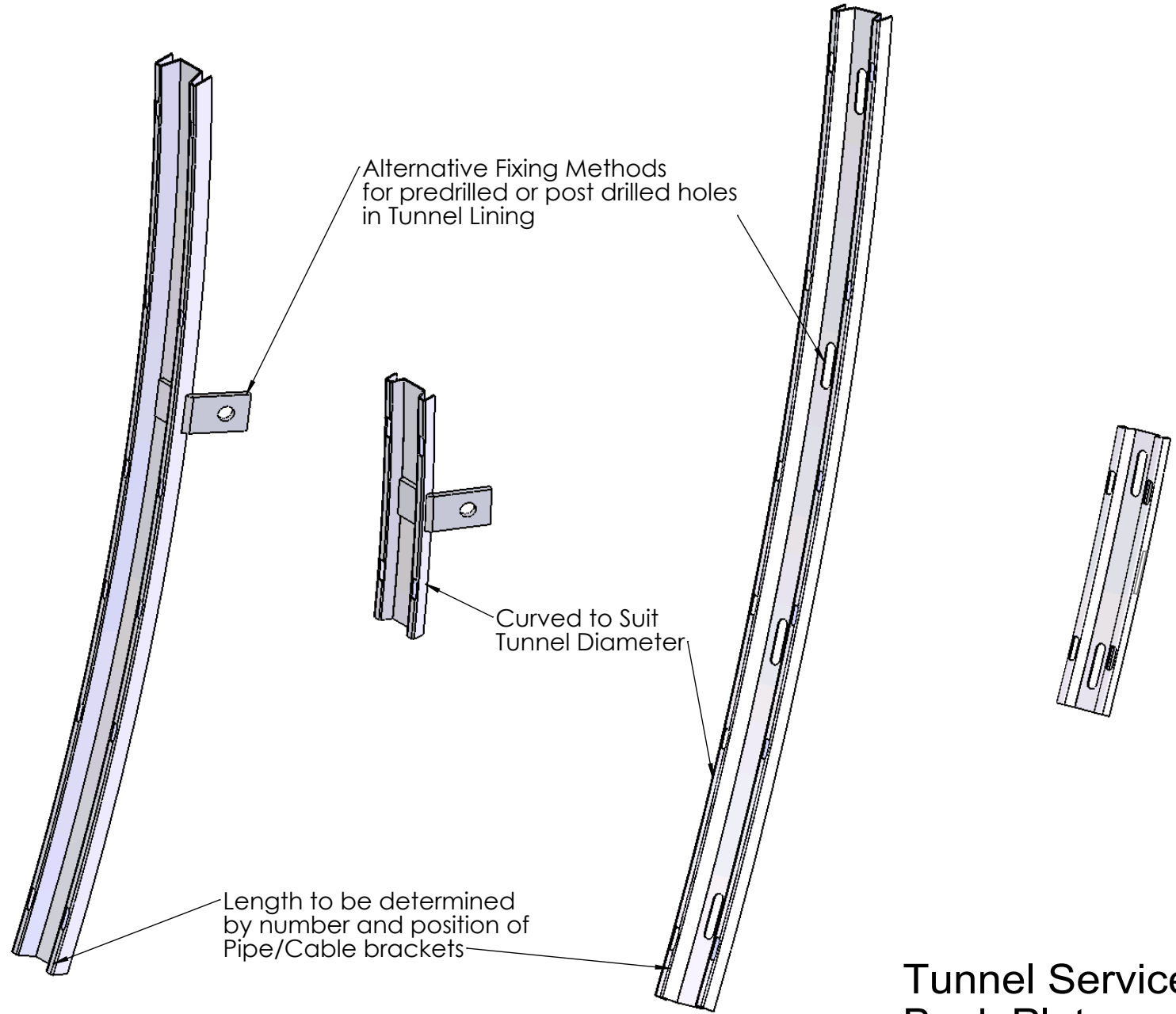
Sub-assembly of Backplate with services support brackets

## Tunnel Services Support System Component Sub-assemblies

Transforge (UK) Ltd

Edmondthorpe Road, Wymondham, Leics LE14 2AD



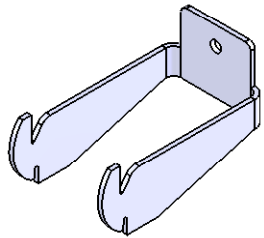


## Tunnel Services Support System Back Plate

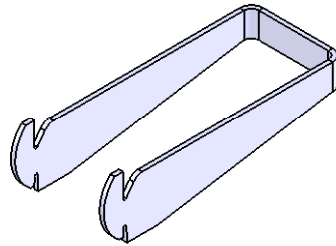
Transforge (UK) Ltd

Edmondthorpe Road, Wymondham, Leics LE14 2AD

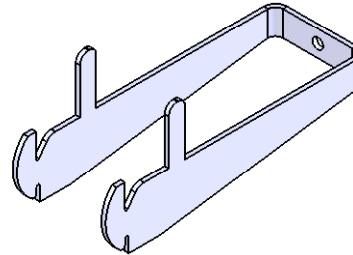




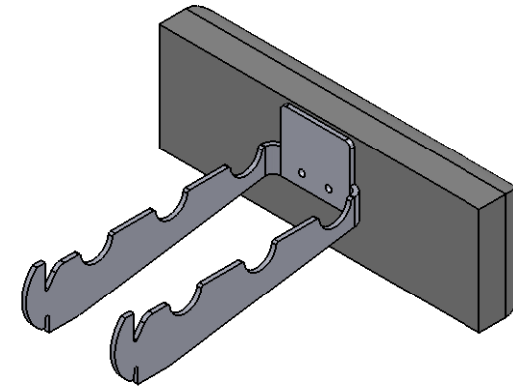
Bracket with End Restraint



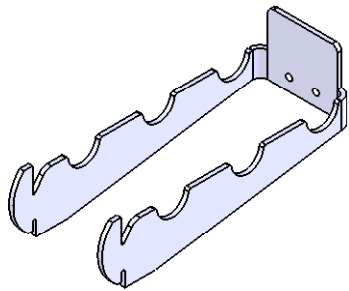
Standard Bracket



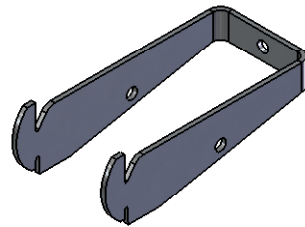
Pipe Stand-off Bracket



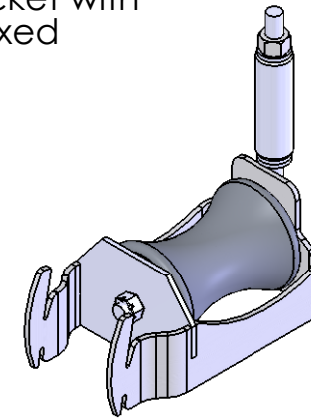
3 Cable Bracket with Lamp Fixed



3 Cable Bracket with Lamp Fixing



Bracket with Holes for Cable Support



Roller Bracket

## Tunnel Services Support System Pipe & Cable Support Brackets

Transforge (UK) Ltd

Edmondthorpe Road, Wymondham, Leics LE14 2AD

